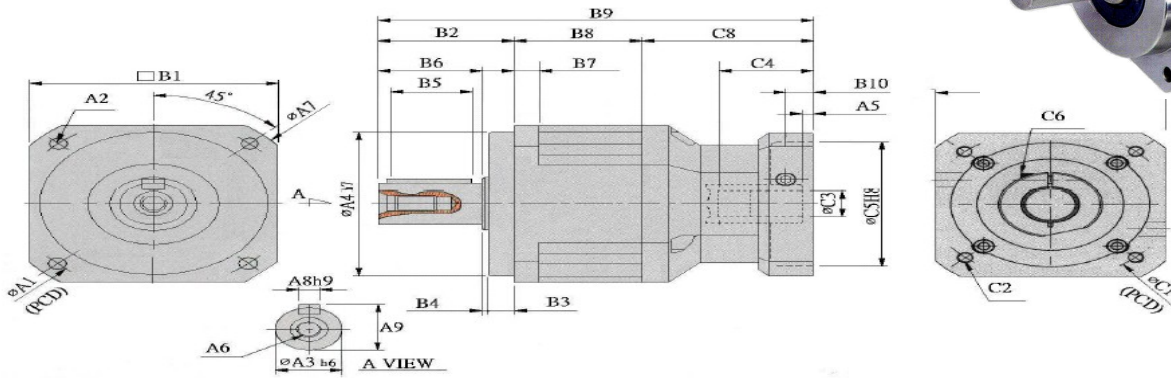
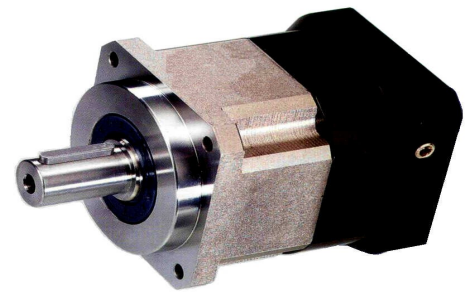


MODEL : SB

單段 1-Stage

RATIO : 3, 4, 5, 6, 7, 8, 910



Unit:mm

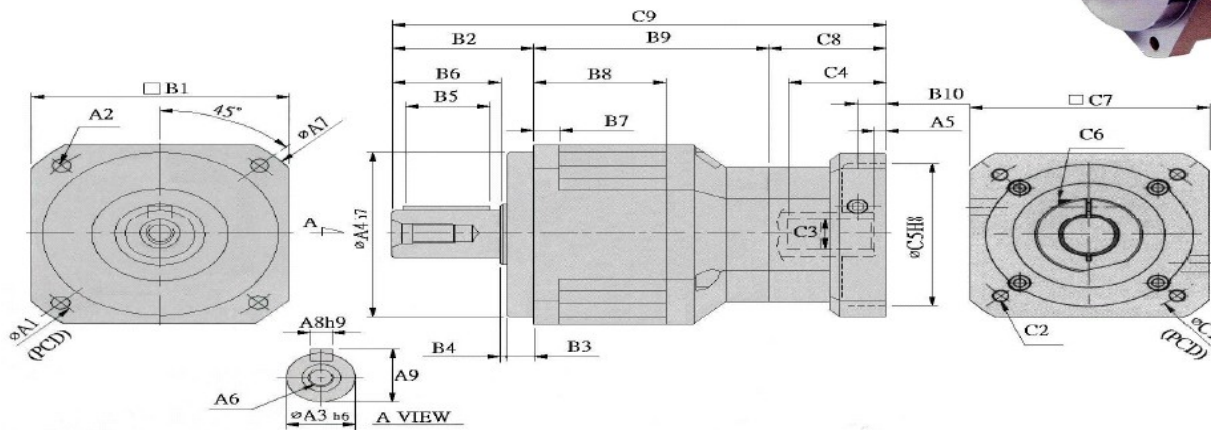
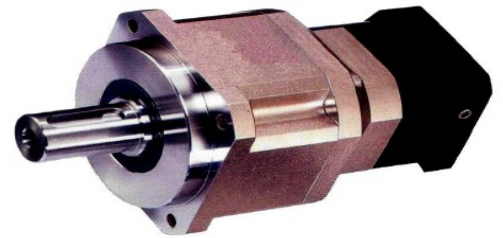
Model		44	62	90	120	142	180	220
A	Code	44	62	90	120	142	180	220
	A1	50	70	100	130	165	215	250
	A2	4.5	5.5	6.8	9	11	13	17
	A3	13	16	22	32	40	55	75
	A4	35	50	80	110	130	160	180
	A5	5	6	9	10	10	11.5	12.5
	A6	M4×P0.7	M5×P0.8	M8×P1.25	M12×P1.75	M16×P2.0	M20×P2.5	M20×P2.5
	A7	58	80	116	148	186	238	288
	A8	5	5	6	10	12	16	20
	A9	15	18	24.5	35	43	59	79.5
B	B1	44	62	90	120	142	180	220
	B2	26	36	48	65	92	106	139
	B3	5	7	10	12	15	20	30
	B4	1	1	2	3	3	4	5
	B5	15	20	30	40	65	70	90
	B6	20	28	36	50	74	82	104
	B7	5	8	10	12	15	16	20
	B8	31.5	38	49	61	70	85	93
	B9	95	115	164.5	205	260.5	323.5	367.5
	B10	9	11.5	16	19.5	20	23.5	23.5
C	C1	46, 63, 60, 90	70, 75, 90	90, 100, 115, 145, 165,	145	145, 200, 215	200, 215, 235, 265, 300	235, 265, 300
	C2	M4×P0.7 M5×P0.8	M4×P0.7 M8×P1.25 M10×P1.5	M6×P1.0 M8×P1.25 M10×P1.5	M6×P1.0 M8×P1.25 M10×P1.5	M8×P1.0 M12×P1.75	M12×P1.75 M16×P1.75	M12×P1.75 M12×P1.5
	C3	5.65, 6, 8, 11	6, 35, 8, 10, 11, 12, 14, 16, 19	14, 16, 19, 22, 24	19, 22, 24, 28, 32	22, 24, 28, 32, 35, 38	38, 42, 48, 55	42, 48, 55
	C4	26	33.5	59	67	84.5	114.5	117.5
	C5	30, 40, 50, 70	50, 60, 70	70, 80, 95, 110, 130	110, 130	110, 114.3, 180	114.3, 180, 200, 230, 250	200, 230, 250
	C6	M3×P0.5	M4×P0.7 M5×P0.8	M6×P1.0	M8×P1.25	M10×P1.5	M10×P1.5	M10×P1.5
	C7	46, 55, 60, 76	64, 70, 80	92, 110, 130, 142	130, 150	146, 180, 190	182, 200, 220, 250, 265	182, 200, 220, 250, 265
	C8	37.5	37.5	67.5	79	98.5	132.5	132.5

規格 Model No.	單位 Unit	速比 Ratio	#44	#62	#90	#120	#142	#180	#220
額定輸出扭矩 Rated Output Torque	Nm	3	19	59	165	335	625	1206	2030
	Nm	4	16	51	146	300	555	1069	1804
	Nm	5	16	48	160	333	618	1189	2010
	Nm	6	15	45	151	311	593	1118	1911
	Nm	7	14	45	149	309	573	1108	1870
	Nm	8	13	43	143	298	553	1070	1824
	Nm	9	14	44	145	333	618	1189	2010
最大輸出力矩 Max. Output Torque	Nm	3~10	3 倍額定輸出力矩 3 Times of Rated Output Torque						
額定輸入轉速 Rated Input Speed	rpm	3~10	5,000	5,000	4,000	4,000	3,000	3,000	2,000
最大輸入轉速 Max. Input Speed	rpm	3~10	10,000	10,000	8,000	8,000	6,000	6,000	4,000
背隙 Backlash Ps	arcmin	3~10	-	-	≤1	≤1	≤1	≤1	≤1
背隙 Backlash P0	arcmin	3~10	≤3	≤3	≤3	≤3	≤3	≤3	≤3
背隙 Backlash P1	arcmin	3~10	≤5	≤5	≤5	≤5	≤5	≤5	≤5
背隙 Backlash P2	arcmin	3~10	≤7	≤7	≤7	≤7	≤7	≤7	≤7
扭轉剛性 Torsional Rigidity	Nm/arcmin	3~10	3	6	14	27	60	140	240
容許徑向力 Max. Radial Force	N	3~10	380	1,180	3,200	6,800	9,300	15,600	51,000
容許軸向力 Max. Axial Force	N	3~10	190	590	1,600	3,400	4,650	7,800	25,500
使用壽命 Service Life	hr	3~10	30,000						
效率 η Efficiency	%	3~10	≥97%						
使用溫度 Operating Temperature	°C	3~10	-25°C ~ +90°C						
潤滑 Lubrication		3~10	全合成潤滑油 Synthetic oil						
防護等級 Degree of Gearbox Protection		3~10	IP65						
安裝方向 Mounting Position		3~10	任意方向 Any						
噪音 Noise Level	dB	3~10	≤58	≤58	≤60	≤63	≤65	≤67	≤70
重量 Weight±3%	Kg	3~10	0.6	1.28	3.6	8	15.5	29.3	39.2

MODEL : SB

雙段 2-Stage

RATIO : 15, 20, 25, 30, 35, 40, 50, 60, 70, 80, 90, 100



unit : mm

Model	62	92	120	142	180	220
	Code					
A1	70	100	130	165	215	250
A2	5.5	6.8	9	11	13	17
A3	16	22	32	40	55	75
A4	50	80	110	130	160	180
A5	5	6.8	9	11	13	17
A6	M5×P0.8	M8×P1.25	M12×P1.75	M16×P2.0	M20×P2.5	M20×P2.5
A7	80	116	148	186	238	288
A8	5	6	10	12	16	20
A9	18	24.5	35	43	59	79.5
B1	62	90	120	142	180	220
B2	36	48	65	92	106	139
B3	7	10	12	15	20	30
B4	1	2	3	3	4	5
B5	20	30	40	65	70	90
B6	28	36	50	74	85	104
B7	8	10	12	15	16	20
B8	38	49	61	70	85	93
B9	66	83.5	108.5	127.5	154	175
B10	9	11.5	16	19.5	20	23.5
C1	46, 63, 60, 90	70, 75, 90	90, 100, 115, 145, 165	145, 165	145, 200, 215	200, 215, 235, 265, 300
C2	M4×P0.7 M5×P0.8	M4×P0.7 M5×P0.8 M6×P1.0	M6×P1.0 M8×P1.25 M10×P1.5	M6×P1.0 M8×P1.25	M8×P1.25 M12×P1.75	M12×P1.75 M16×P1.5
C3	5.65, 6, 8, 11	6.35, 8, 10, 11, 12, 14, 16, 19	14, 16, 19, 22, 24	19, 22, 24, 28, 32	22, 24, 28, 32, 35, 38	38, 42, 48, 55
C4	26	33.5	59	67	84.5	114.5
C5	30, 40, 50, 70	50, 60, 70	70, 80, 95, 110, 130	110, 130	110, 114.3, 180	114.3, 180, 200, 230, 250
C6	M3×P0.5	M4×P0.7	M6×P1.0	M8×P1.25	M10×P1.5	M10×P1.5
C7	46, 55, 60	64, 70, 80	92, 110, 130, 142	130, 150	146, 180, 190	182, 200, 220, 250, 265
C8	37.5	41, 49	67.5	79	98.5	132.5
C9	139.5	172.5	241	298.5	358.5	446.5

規格 Model No.	單位 Unit	速比 Ratio	#62	#90	#120	#142	#180	#220
額定輸出扭矩 Rated Output Torque	Nm	15	59	165	335	625	1206	2030
	Nm	20	51	146	300	555	1069	1804
	Nm	25	48	160	333	618	1189	2010
	Nm	30	45	151	311	583	1118	1911
	Nm	35	45	149	309	573	1108	1870
	Nm	40	43	143	298	553	1070	1824
	Nm	50	48	160	333	618	1189	2010
	Nm	60	45	151	311	583	1118	1911
	Nm	70	45	149	309	573	1108	1870
	Nm	80	43	143	298	553	1070	1824
	Nm	90	44	145	278	516	993	1694
	Nm	100	43	141	294	549	1059	1779
最大輸出力矩 Max. Output Torque	Nm	15~100	3 倍額定輸出力矩 3 Times of Rated Output Torque					
額定輸入轉速 Rated Input Speed	rpm	15~100	5,000	4,000	4,000	3,000	3,000	2,000
最大輸入轉速 Max. Input Speed	rpm	15~100	10,000	8,000	8,000	6,000	6,000	4,000
背隙 Backlash Ps	arcmin	15~100	-	-	≤3	≤3	≤3	≤3
背隙 Backlash P0	arcmin	15~100	≤5	≤5	≤5	≤5	≤5	≤5
背隙 Backlash P1	arcmin	15~100	≤7	≤7	≤7	≤7	≤7	≤7
背隙 Backlash P2	arcmin	15~100	≤9	≤9	≤9	≤9	≤9	≤9
扭轉剛性 Torsional Rigidity	Nm/arcmin	15~100	6	14	27	60	140	240
容許徑向力 Max. Radial Force	N	15~100	1,180	3,200	6,800	9,300	15,600	51,000
容許軸向力 Max. Axial Force	N	15~100	590	1,600	3,400	4,650	7,800	25,500
使用壽命 Service Life	hr	15~100	30,000					
效率 η Efficiency	%	15~100	≥94%					
使用溫度 Operating Temperature	°C	15~100	-25°C ~ +90°C					
潤滑 Lubrication		15~100	全合成潤滑油 Synthetic oil					
防護等級 Degree of Gearbox Protection		15~100	IP65					
安裝方向 Mounting Position		15~100	任意方向 Any					
噪音 Noise Level	dB	15~100	≤58	≤60	≤63	≤65	≤67	≤70
重量 Weight±3%	Kg	15~100	1.73	4.6	9.42	20.5	39.14	54.2